

## SPCA series – self-priming centrifugal pumps

Fast-priming SPCA Series Pumps in 1 through 2-1/2 HP models, with a low-friction Noryl® impeller. These high head pumps feature leakproof mechanical seals, easy service design, heavy-duty motors, rugged construction. Self-priming after initial filling with water.



### application

- Lawn sprinkling... pump can be safely operated by timer or other automatic device.
- Contractors... for dewatering excavation, water transfer and supply.
- Agriculture... seed bed and plot irrigation, stock watering.
- Industrial... sump drainage, marine pumping, liquid transfer and supply operations.

### specifications

**Body and Seal Plate** – Close-grained cast iron

**Impeller** – Noryl®

**Diffuser** – Reinforced Polypropylene

**Shaft** – One-piece threaded 416 stainless steel

**Base** – Steel, 10-gauge

**Motor** – A.O. Smith 2-compartment

▶ **Rugged Construction** – Heavy-duty motors, easy service design

▶ **High Head Models** – Deliver up to 145' of head with capacities to 95 GPM

▶ **Drain Port** – Provided for easy winterizing

▶ **Easy Serviceability** – Normal wearing parts are easily accessible for service and replacement, without disturbing piping or mounting

▶ **Heavy-Duty Motors** – Designed for continuous operation. A.O. Smith motors have ball bearing with stainless steel shaft. Single and three-phase available

### ordering information

Catalog Number	HP	Voltage	Phase	Pipe Tapping Sizes		Approx. Wt. Lbs.
				Suction	Discharge	
SPCA-100	1	115/230	1	2"	1-1/2"	73
SPCA-3-100	1	208-230/460	3	2"	1-1/2"	73
SPCA-150	1-1/2	115/230	1	2"	1-1/2"	79
SPCA-3-150	1-1/2	208-230/460	3	2"	1-1/2"	79
SPCA-200	2	230	1	2"	2"	91
SPCA-3-200	2	208-230/460	3	2"	2"	91

### certification



This product is Listed to UL and CSA Standards for Safety by CSA International.

Noryl® is a registered trademark of General Electric Co.

Pro-Source™ is a trademark of Pentair Water.

# CENTRIFUGAL PUMPS

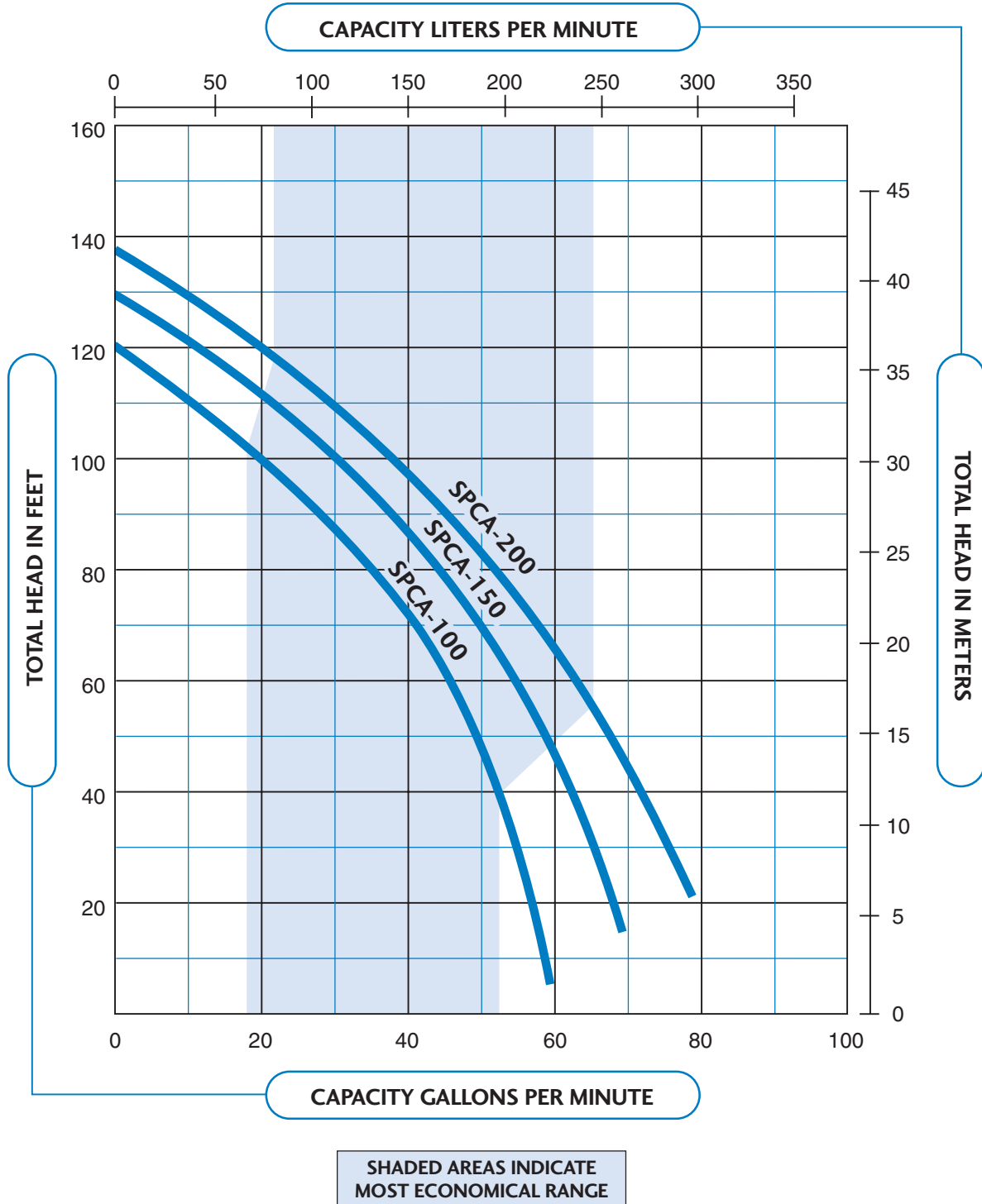


## SPCA series – self-priming centrifugal pumps

### pump performance

centrifugal pumps

2



## SPCA series – self-priming centrifugal pumps

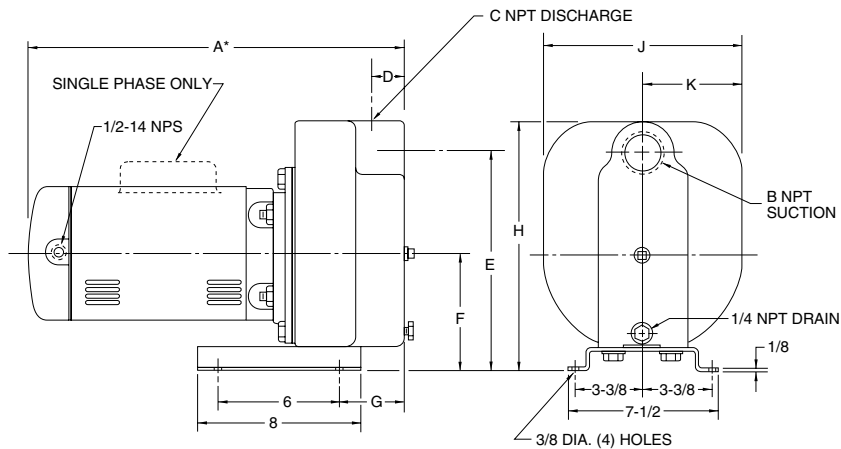
### pump performance

Catalog Number	HP	Discharge Pressure		Suction Lift in Feet				
		PSI	Feet Head	5'	10'	15'	20'	25'
SPCA-100	1	20	46.2	46	43	41	38	35
		30	69.3	35	32	29	25	21
		40	92.4	19	15	10	–	–
SPCA-150	1-1/2	20	46.2	55	53	51	49	46
		30	69.3	45	42	39	36	32
		40	92.4	31	27	22	18	12
SPCA-200	2	20	46.2	64	62	59	57	51
		30	69.3	53	50	47	44	38
		40	92.4	38	35	31	26	20
		50	115.5	19	13	–	–	–

Tested and rated in accordance with Water Systems Council Standards.

**NOTE:** Pumps installed with a Pro-Source™ tank require a 100 PSI relief valve. Pumps installed with a conventional tank require a 75 PSI relief valve. Relief valve must be capable of relieving entire flow of pump at relief pressure.

### outline dimensions



Dimensions (in inches) are for estimating purposes only.

### dimensional data

Catalog Number	HP	A*	B Suction	C Discharge	D	E	F	G	H	J	K
SPCA-100	1	16-5/8	2	1-1/2	3-7/8	11-1/8	5-7/8	3-1/8	12-5/8	10	5
SPCA-150	1-1/2	17-1/2	2	1-1/2	3-7/8	11-1/8	5-7/8	3-1/8	12-5/8	10	5
SPCA-200	2	18-7/8	2	2	4-1/4	12-11/16	6-7/16	3-5/8	14-3/16	11	5-1/2

\*Overall length (A) shown for single phase motors. Three phase motors are slightly smaller.